

## GSTH-C64 Corner Fastener Hinge With Lock

### Features

- Combination of hinge and corner fastener
- Can be used together with **GSTF-C64A** and **GSTF-C64B** fasteners
- Can be installed on cabinet or box corners
- Locks when fastened to prevent accidental release
- Sealing pin (sold separately) may be installed

### Applications

- Doors and covers requiring dust-proof, drip-proof, or vibration resistance
- Suitable for applications including measurement equipment, communication equipment, machine tools, etc.



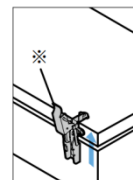
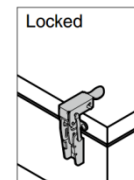
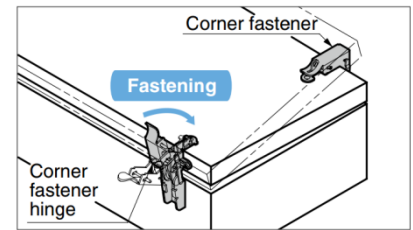
Step 1.  
After locked.



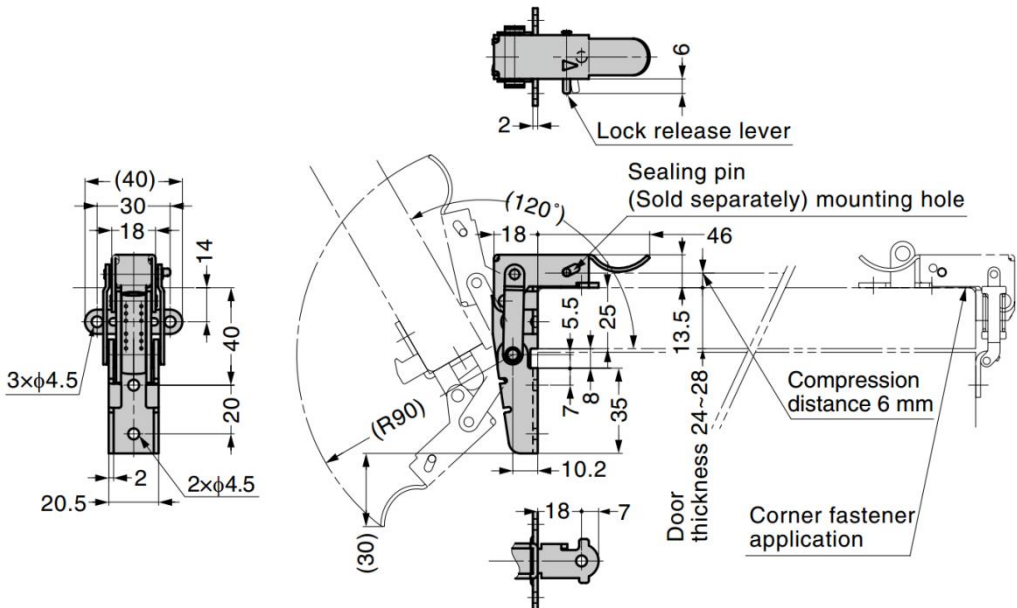
Step 2.  
Pull the lever and lift the  
latch.



Step 3.  
Release the lock of the  
fastener to open the lid.



Locked  
Pull the lever  
※while pushing  
the lock release  
lever to lift the  
latch to open  
the lid.



Part No.	Material	Finish	Door Width	Door Height	Door Thickness	Door Weight (per pair)
GSTH-C64	Stainless Steel 304	Barrel Polished	Max. 300	Max. 400	24 ~ 28	Max. 2.8 kg